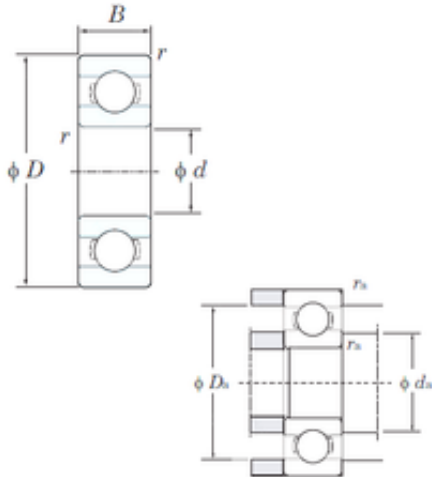




China 608z Bearing Supplier



NSK KOYO Hybrid ceramic Chrome steel miniature Deep groove ball bearing 606 for fidget toy

Bearing No. 606

Size	6x17x6 mm
Bore Diameter	6 mm
Outer Diameter	17 mm
Width	6 mm
d	6 mm
D	17 mm
B	6 mm
C	6 mm
r min.	0,3 mm
r1 min.	0,3 mm
da min.	8 mm
Da max.	15 mm
ra max.	0,3 mm
Weight	0,0058 Kg
Basic dynamic load rating (C)	1,95 kN
Basic static load rating (C0)	0,74 kN
(Grease) Lubrication Speed	43000 r/min
(Oil) Lubrication Speed	51000 r/min
Bearing No.	606
r(min)	0.3
Cr	2.45
C0r	0.74
Cu	0.030
f0	12.2

606 Bearing 2D drawings and 3D CAD models



China 608z Bearing Supplier

Grease lub.	43000
Oil lub.	51000
da(min)	8
Da(max)	15
ra(max)	0.3
(Refer.)Mass(g)	5.8