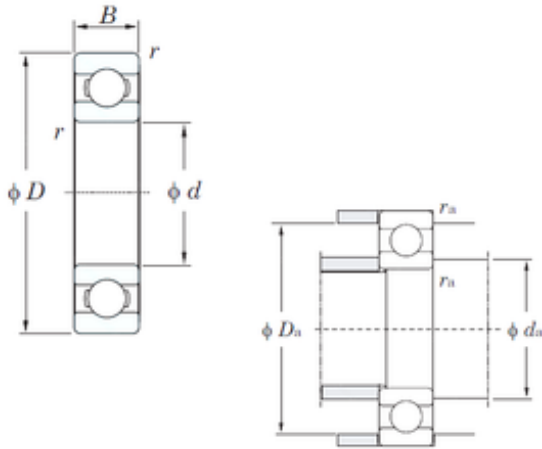




China 608z Bearing Supplier



6210 Bearing 2D drawings and 3D CAD models

NSK/NTN/Koyo High Speed 6210 Bicycle Motor Deep Groove Ball Bearing

Bearing No. 6210

Size	50x90x20 mm
Bore Diameter	50 mm
Outer Diameter	90 mm
Width	20 mm
d	50 mm
D	90 mm
B	20 mm
C	20 mm
r min.	1,1 mm
da min.	56,5 mm
Da max.	83,5 mm
ra max.	1 mm
Weight	0,463 Kg
Basic dynamic load rating (C)	35,1 kN
Basic static load rating (C0)	23,3 kN
(Grease) Lubrication Speed	7100 r/min
(Oil) Lubrication Speed	8500 r/min
Category	Single Row Ball Bearings
Inventory	0.0
Manufacturer Name	KOYO
Minimum Buy Quantity	N/A
Weight / Kilogram	0.501
EAN	0605790064876
Product Group	B00308
Enclosure	Open



China 608z Bearing Supplier

Precision Class	ABEC 1 ISO P0
Maximum Capacity / Filling Slot	No
Rolling Element	Ball Bearing
Snap Ring	No
Internal Special Features	No
Cage Material	Steel
Internal Clearance	C0-Medium
Inch - Metric	Metric
Long Description	50MM Bore; 90MM Outside Diameter; 20MM Outer Race Diameter; Open; Ball Bearing; ABEC 1 ISO P0; No Filling Slot; No Snap Ring; No Internal Special Features
Category	Single Row Ball Bearing
UNSPSC	31171504
Harmonized Tariff Code	8482.10.50.68
Noun	Bearing
Keyword String	Ball
Manufacturer URL	http://www.koyousa.com
Manufacturer Item Number	6210
Weight / LBS	1.104
Outer Race Width	0.787 Inch 20 Millimeter
Bore	1.969 Inch 50 Millimeter
Outside Diameter	3.543 Inch 90 Millimeter
Bearing No.	6210
r(min)	1.1
Cr	43.9
C0r	23.3
Cu	1.55
f0	14.4
Grease lub.	7100



China 608z Bearing Supplier

Oil lub.	8500
da(min)	56.5
Da(max)	83.5
ra(max)	1
(Refer.)Mass(kg)	0.463